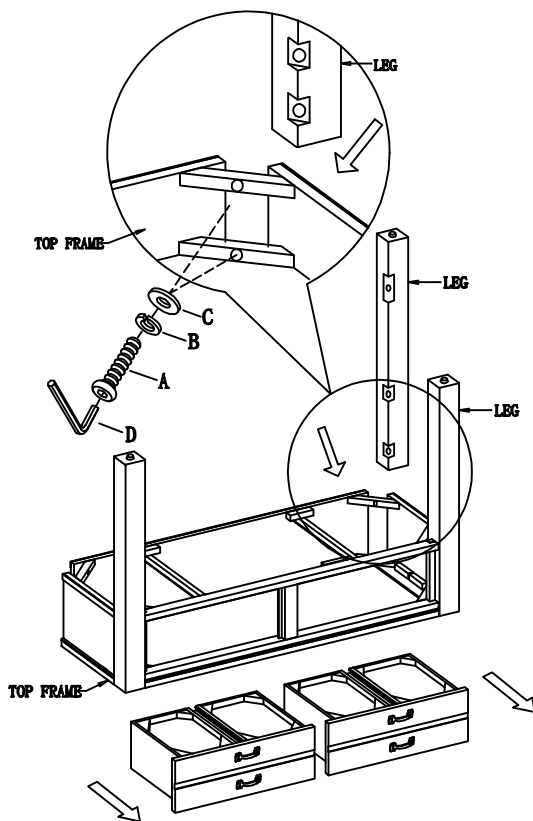


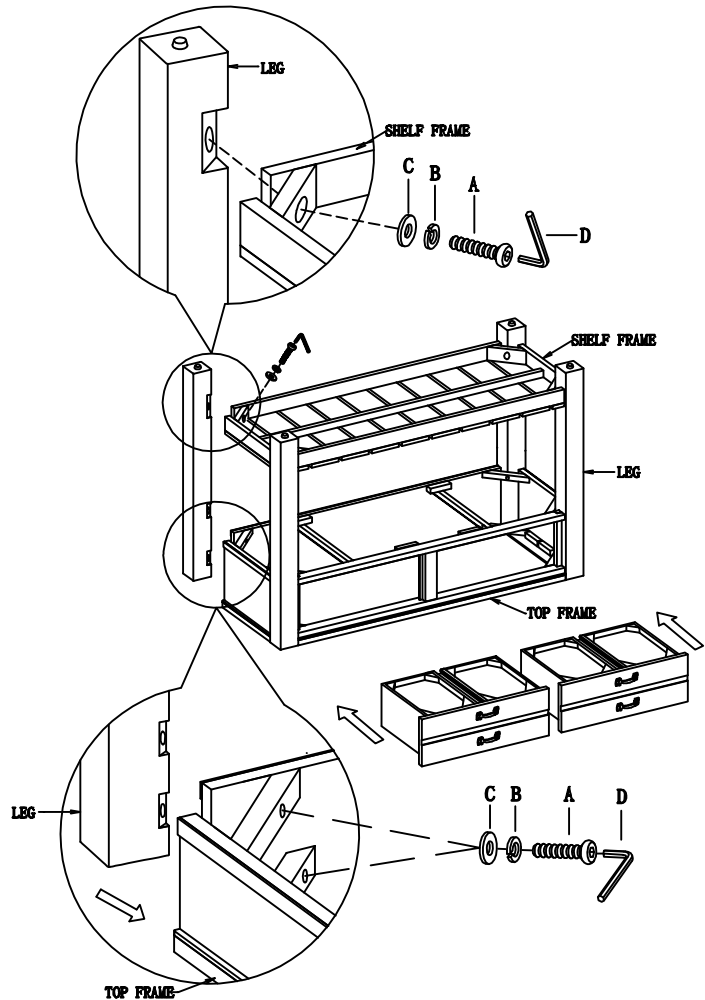
Peters-Revington

ASSEMBLY INSTRUCTION ITEM NO. : 2110-50 SOFA/MEDIA TABLE





STEP 1



STEP 2



DO NOT TIGHTEN SCREWS
UNTIL COMPLETELY ASSEMBLED

ITEM	SKETCH	DESCRIPTION	Q' TY
A		BOLT Ø1/4*1-3/4"	12 PCS
B		LOCK WASHER Ø1/4"	12 PCS
C		FLAT WASHER Ø1/4*16MM	12 PCS
D		ALLEN WRENCH Ø1/4"	1 PC

STEP 3

