

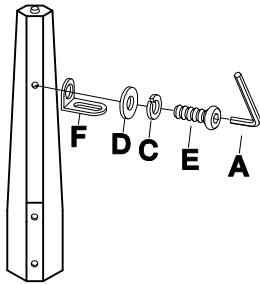
# Peters-Revington

"A Division of CRD Industries Ltd"

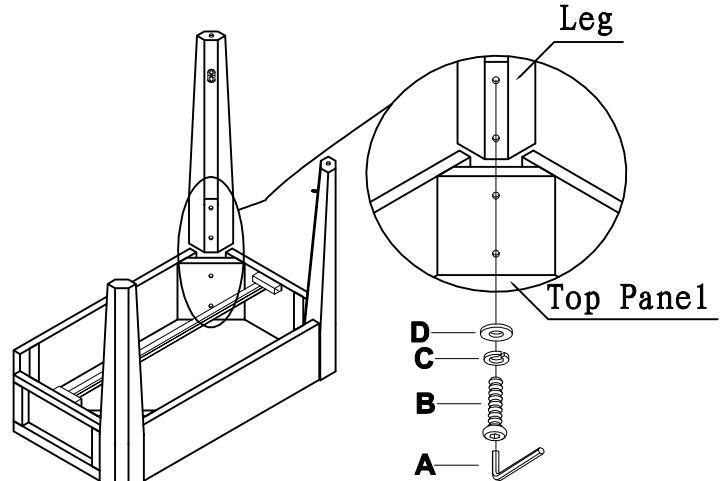
## ASSEMBLY INSTRUCTION

ITEM NO: 2508-23  
CHAIRSIDE TABLE

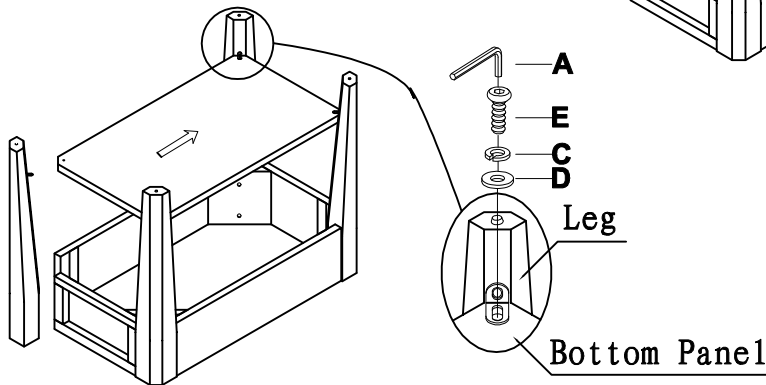
### STEP 1



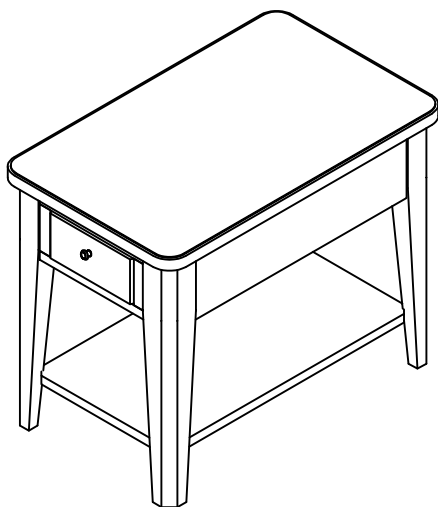
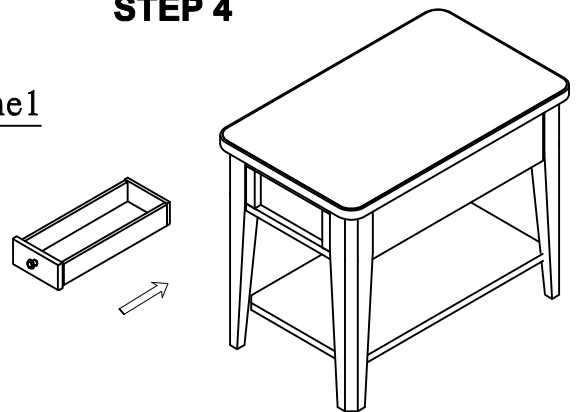
### STEP 2




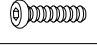




### STEP 3



### STEP 4



**DO NOT TIGHTEN SCREWS  
UNTIL COMPLETELY ASSEMBLED**

Item	Sketch	Description	Qty
<b>A</b>		Allen Wrench 1/4"	1 PC
<b>B</b>		Bolt 1/4"x2"	8 PCS
<b>C</b>		Lock Washer 1/4"	16 PCS
<b>D</b>		Flat Washer 1/4"x16mm	16 PCS
<b>E</b>		Bolt 1/4"x5/8"	8 PCS
<b>F</b>		"L" Bracket	4 PCS