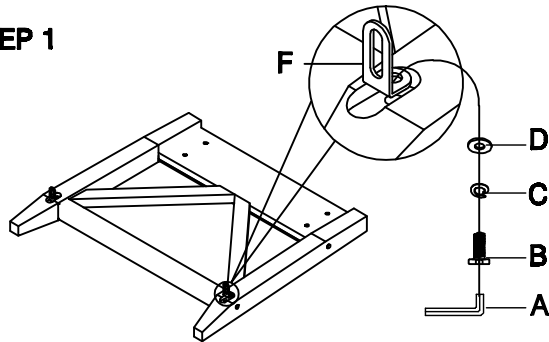




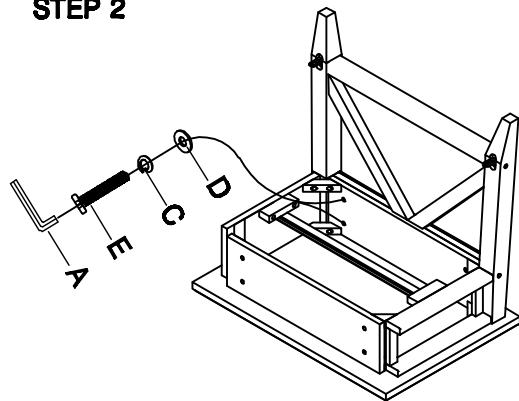
ASSEMBLY INSTRUCTION

ITEM NO:2919-23

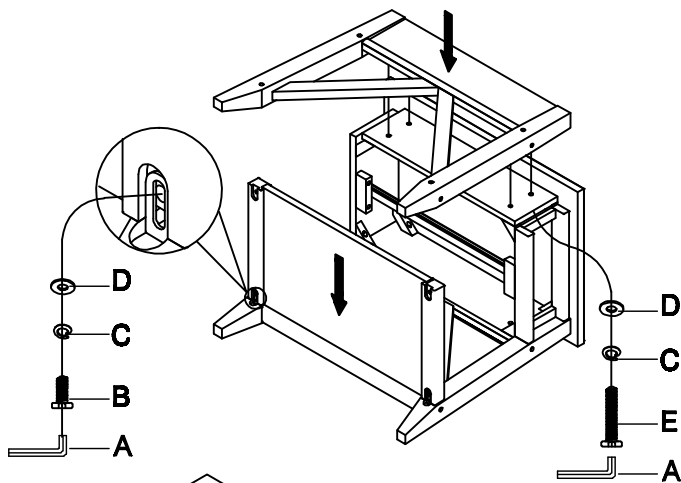
STEP 1



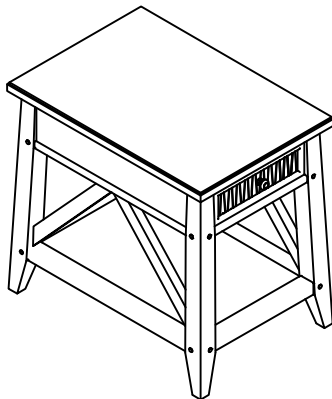
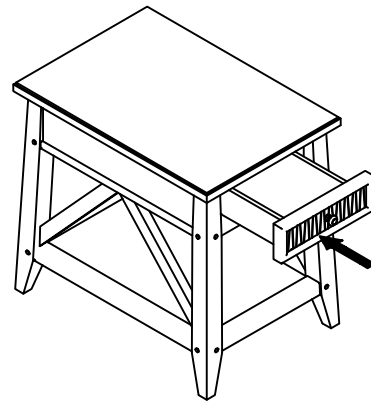
STEP 2



STEP 3



STEP 4



**DO NOT TIGHTEN SCREWS
UNTIL COMPLETELY ASSEMBLED**

| Item | Sketch | Description | Qty |
|------|--------|------------------------|--------|
| A | | Allen Wrench 1/4" | 1 PC |
| B | | Bolt 1/4"x5/8" | 8 PCS |
| C | | Lock Washer 1/4" | 16 PCS |
| D | | Flat Washer 1/4"x16mm | 16 PCS |
| E | | Bolt 1/4"x1-1/4" | 8 PCS |
| F | | "L" Bracket 40*20*18mm | 4 PCS |