

# Cochrane®

"A Division of CRD Industries Ltd"

## ASSEMBLY INSTRUCTION

ITEM NO: 3711-EKPH

KING HEADBOARD

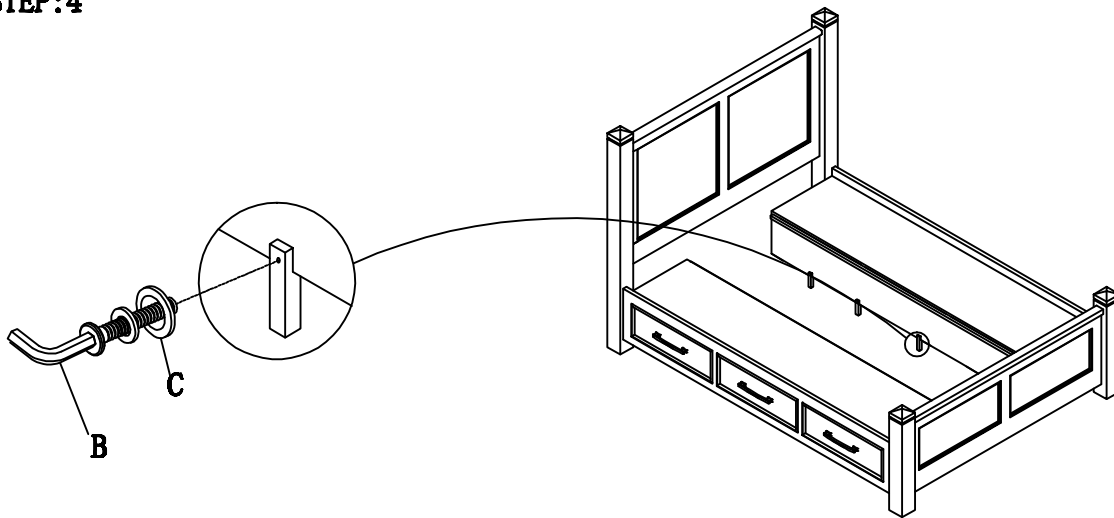
3711-EKPF

KING FOOTBOARD

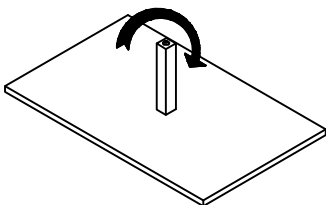
3700-QST-EKST

STORAGE SIDE DRAWER BOX

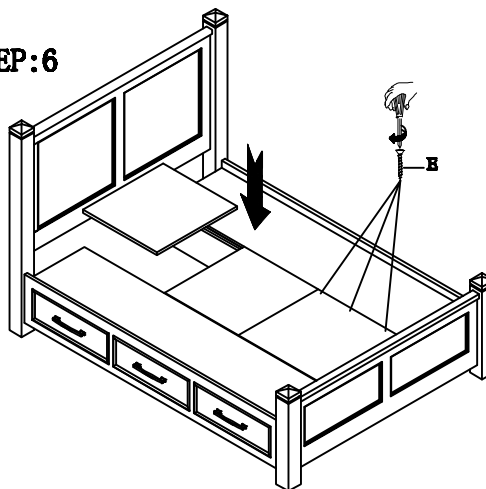
STEP:4



STEP:5



STEP:6



NOTE: WE HAVE LABELED EACH LEG CONNECT TO HEADBOARD WITH L . R . PLS ATTACH LEG ACCORDLINGLY

**DO NOT TIGHTEN SCREWS  
UNTIL COMPLETELY ASSEMBLED**