









Assembly Instruction

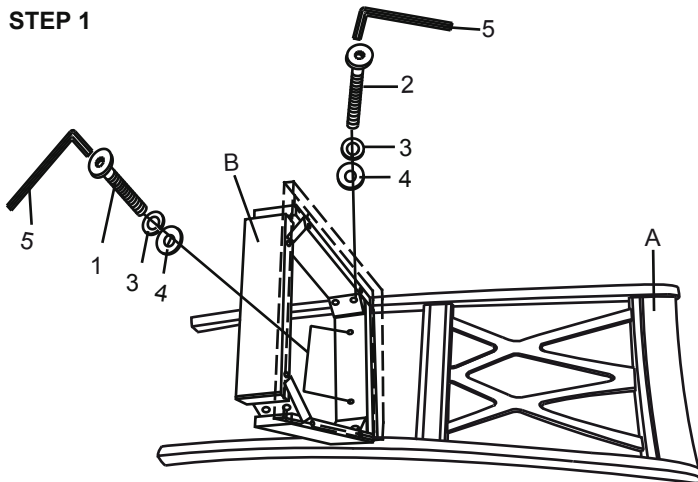
66216 / 67216

"XX" BACK CHAIR WITH WOOD SEAT

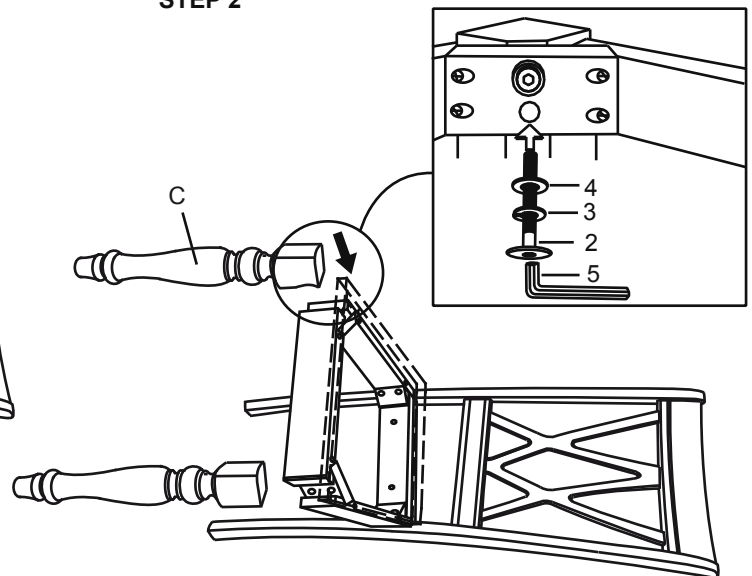
NO	Parts List		Q'TY
A		Chair Back	1
B		Seat	1
C		Front Leg	2

NO	Hardware List		Q'TY
1		JCBC Bolt (Short)	2
2		JCBC Bolt (Long)	8
3		Lock Washer	10
4		Flat Washer	10
5		Allen Key	1

STEP 1



STEP 2



STEP 3

