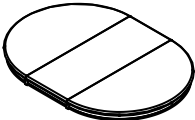








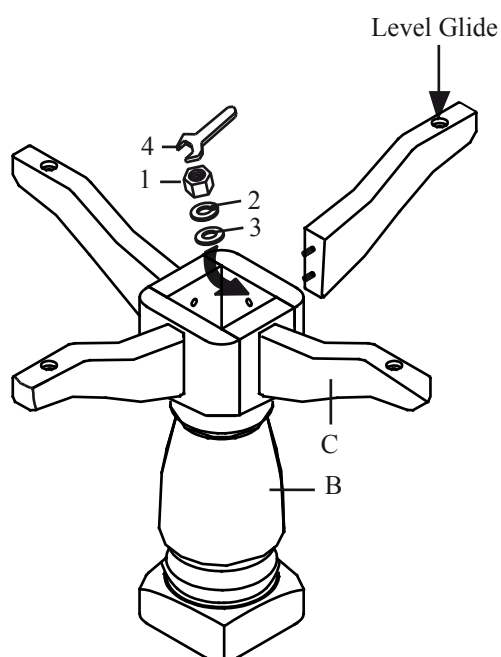
Assembly Instruction

66446/66046/67446/67046
 OVAL EXT SINGLE PEDESTAL TABLE

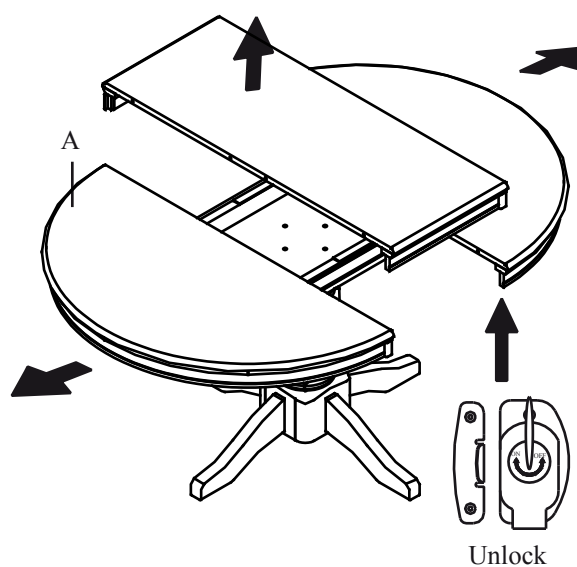
| No | Parts List | | Q'ty |
|----|---|-----------|-------|
| A |  | Table Top | 1 Pc |
| B |  | Pedestal | 1 Pc |
| C |  | Leg | 4 Pcs |

| No | Hardware List | | Q'ty |
|----|--|-------------|--------|
| 1 |  | Hex Nut | 12 Pcs |
| 2 |  | Lock Washer | 12 Pcs |
| 3 |  | Flat Washer | 12 Pcs |
| 4 |  | Wrench | 1 Pc |

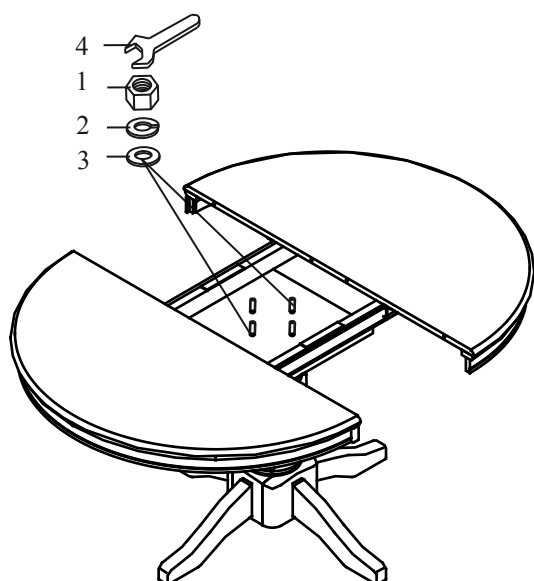
STEP 1



STEP 2



STEP 3



STEP 4

