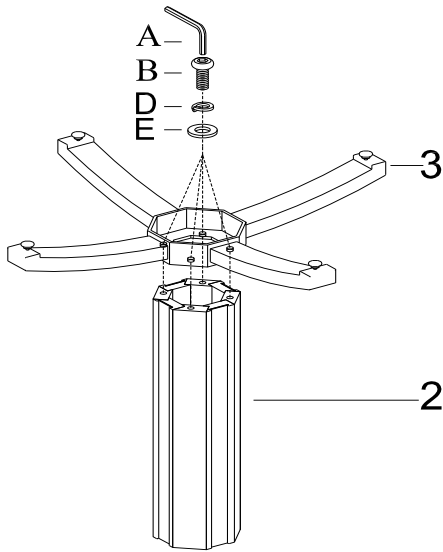
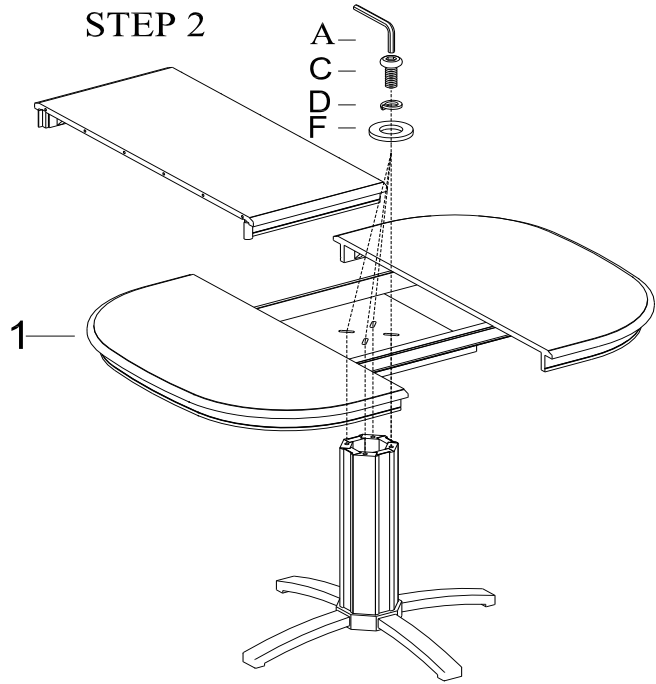


**TABLE ASSEMBLY**  
**ML324 with**  
**MB430 or MB436 ped.base**

**STEP 1**




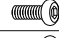




**STEP 2**



**STEP 3**



**LIST OF HARDWARE AND PARTS:**

NO.	Description		Q'ty
A		Allen wrench 4mm	1
B		Bolt Ø5/16"*1.25"	4
C		Bolt Ø5/16"*2.5"	4
D		Spring washer Ø5/16"	8
E		Washer Ø5/16"	4
F		Fender washer Ø38mmx2mmT	4
1	<b>Table Top ( ML424 )</b>		1
2	<b>Wood column (MB430-1 or MB436-1)</b>		1
3	<b>X Metal base (MB430-2 or MB436-2)</b>		1