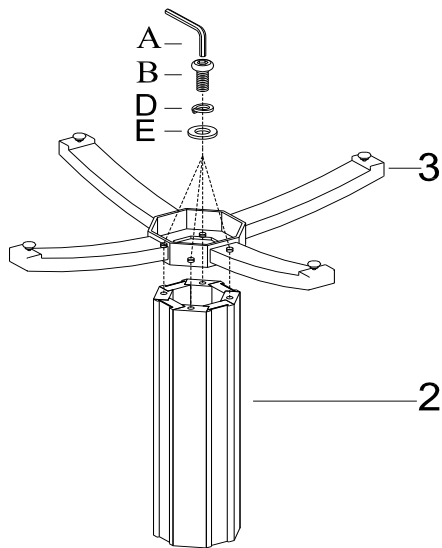
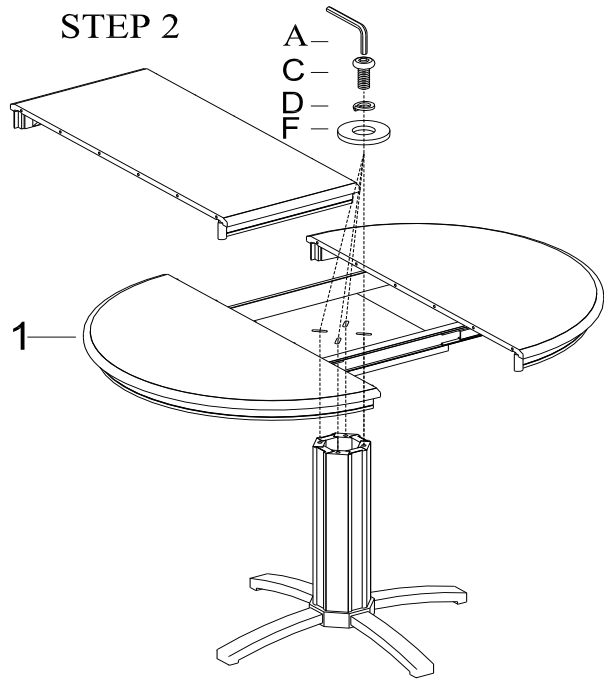


TABLE ASSEMBLY
ML424 with
MB430 or MB436 ped.base

STEP 1




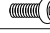




STEP 2



STEP 3



LIST OF HARDWARE AND PARTS:

NO.	Description			Q'ty
A		Allen wrench	4mm	1
B		Bolt	Ø5/16"*1.25"	4
C		Bolt	Ø5/16"*2.5"	4
D		Spring washer	Ø5/16"	8
E		Washer	Ø5/16"	4
F		Fender washer	Ø38mmx2mmT	4
1	Table Top (ML424)			1
2	Wood column (MB-430-1 or MB436-1)			1
3	X Metal base (MB430-2 or MB436-2)			1